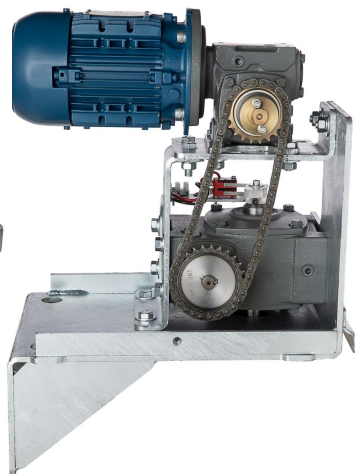


24V Industrial Swing Gate Drives

Models SGD4-24, SDG6-24



GATE DRIVE SOLUTIONS
The Driving Force Behind Your Gate

GATE DRIVE SOLUTIONS LTD.

100% New Zealand owned and operated

www.gatedrivesolutions.nz

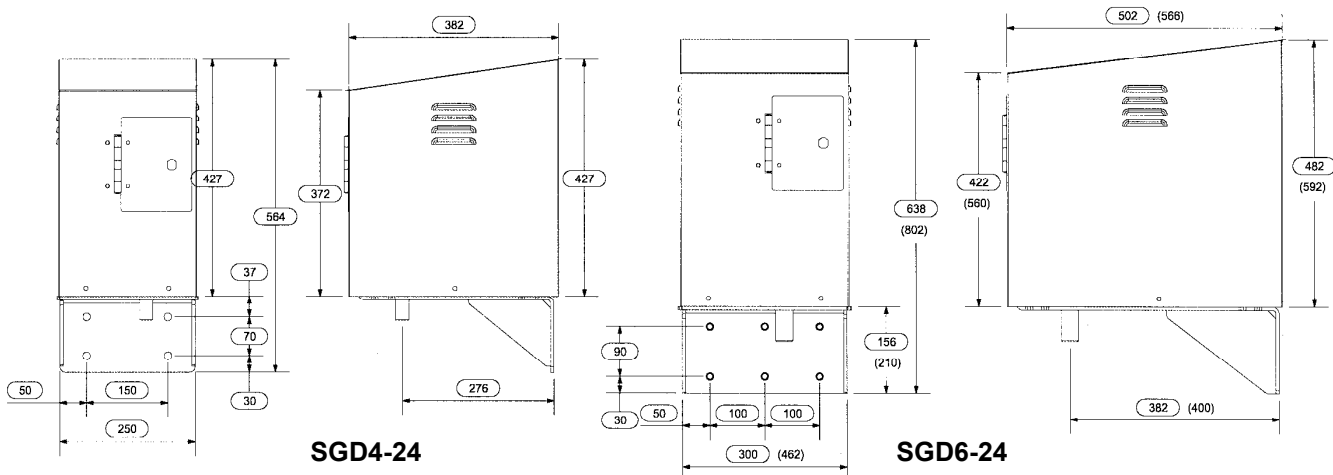
TECHNICAL DETAILS

24Vdc Industrial/Commercial Swing Gate Drive with 316 stainless-steel cover, separate control unit mounted in an IP65, 316 stainless-steel enclosure 400x400x200. Two industrial cast alloy gear boxes and flanges with a unique torque control and easy disconnect facility should there be a need.

- For intensive use
- Duty cycle 100% when connected to 230Vac power source
- Battery back-up 2 x 12V 2.3Ahr
- Input power 230V 1Ph. 10Amps non earth leakage protected circuit.
- Built-in easy set limit switches.
- Hot-dipped galvanised chassis
- Heavy duty tubular arms.
- Available as Dual Industrial/Commercial Swing Gate Drives



MODEL	SGD4-24	SGD6-24
Motor Power	24V dc 120W	24V dc 250W
Max. Gate Weight	Up to 400kg	Up to 500kg
Max. Gate Length	4m approx.	6m approx.
Max. Gate Height	1.8m approx.	2m approx.
Opening Speed	8-10 sec/90°	10-12 sec/90°
Control Board	ELSEMA / CB-6 depending on application	CB-6
Gate Drive Weight (including arm)	51kg approx.	75kg approx.



PLEASE NOTE: All gates should be installed with electric locking for security and to minimise excessive force placed on the Gate Drive if the gate leaf is more than approximately 2.5m wide.

The specifications and suggested gate sizes will vary depending upon other variables such as friction of hinges, environmental factors e.g. wind loading, type of cladding and external influences which may assist or degrade the recommended gate sizes.

All automation applications require external safety photocell protection / vehicle loop detector and appropriate warning signs and/or devices.

Imported and marketed in New Zealand by GATE DRIVE SOLUTIONS LTD.

www.gatedrivesolutions.co.nz Phone: 09 419 5483

The Information contained in this document is subject to change without notice. November 2022